

Y594 (Multistage Thermostat Subbase) Package

TRADELINE®

INSTALLATION INSTRUCTIONS

APPLICATION

These Y594G and Y594J combination packs are designed to meet the specific requirements of Carrier heat pump equipment. The Y594 packs are designed for 2 stage heat and 1 stage cool applications. The system switch is SUPL HT-HEAT-OFF-COOL or SUPL HT-ON-OFF. The fan switch is AUTO-ON. See Table 1 for model information and cross reference from Carrier part numbers.

Subbase Ratings

SWITCH RATING: 7.5A inrush, 2.5A running at 30 Vac.
MOUNTING: Designed for mounting on wall or horizontal outlet box.

Table 1. Heat Pump Thermostat/Subbase Combinations.

OS No.	Fig. No.	Contains	Replaces Honeywell		Replaces Carrier		Changeover Mode
Y594G1666	7	T874G2004 Q674L1892	Y507J1011	T874G1055 Q674L1041	99TZ90041106	HH07AT171 HH93AZ175	Manual changeover in cooling
Y594G1674	6	T874G2004 Q674J1274	Y507J1003	T874G1055 Q674J1035	99TZ90040106	HH07AT171 HH93AZ173	Auto changeover in cooling
Y594J1001	5	T874J1069 Q674L1900	—	T874J1002 Q674L1074 or Q674L1637	—	HH07AT175 HH93AZ186 or HH93AZ195	Manual changeover in cooling
Y594J1019	4	T874J1069 Q674J1282	—	T874J1002 Q674J1068 or Q674J1159	—	HH07AT175 HH93AZ183 or HH93AZ196	Auto changeover in heating

Thermostat Ratings

SWITCHING: sealed mercury switch.

SWITCH RATINGS:

First Stage Heating and Cooling: 6.5A inrush, 1.5A maximum running at 25 Vac.

Second Stage Heating and Cooling: 1.5A maximum running at 30 Vac.

Changeover Switch: 6.5A inrush, 1.5A running at 25 Vac.

HEAT ANTICIPATOR:

First Stage Heating and Cooling: fixed voltage type, 1.0A.

Second Stage Heating: adjustable, 0.10 to 1.2A; other models, fixed voltage type, 1.0A.

TEMPERATURE SETTING RANGE: 42°F to 88°F (6°C to 31°C).

OPERATION

The two stages of heat are energized sequentially with changes in temperature. Stage one comes on first; then if the temperature at the thermostat continues to move away from the setpoint, the second stage comes on. The thermostat is set with about 2°F (1°C) between stages. As the heating equipment runs and the temperature begins to move back toward the set point, stage 2 goes off first, then stage one.

Subbases include an LED (light emitting diode) indicator. This indicator lights to show that the heat pump cannot operate and the supplemental heat stage is providing all heating. This condition can occur in two instances; when the subbase system switch is set at SUPL. HT. and when the heat pump compressor has malfunctioned.

The LEDs are not field replaceable.





RECYCLING NOTICE

This control contains mercury in a sealed tube. Do not place control in the trash at the end of its useful life.

If this control is replacing a control that contains mercury in a sealed tube, do not place your old control in the trash.

Contact your local waste management authority for instructions regarding recycling and the proper disposal of this control, or of an old control containing mercury in a sealed tube.

INSTALLATION

When Installing this Product...

- 1 Read these instructions carefully. Failure to follow them could damage the product or cause a hazardous condition.
- 2 Check the ratings given in the instructions and on the product to make sure the product is suitable for your application.
- 3 Installer must be a trained, experienced service technician.
- 4 After installation is complete, check out product operation as provided in these instructions.



CAUTION

- 1 Disconnect power supply to prevent electrical shock or equipment damage.
- 2 Run wires as close as possible to the subbase. To prevent interference with the thermostat linkage, keep wire length to a minimum. Push excess wire back into the hole, and plug hole to prevent drafts from affecting thermostat operation.
- 3 Do not overtighten thermostat captive mounting screws because damage to subbase threads can result.
- 4 Do not short across coil terminals on relay. This may burn out the heat anticipator.
- 5 Never install more than one wire per terminal unless factory-supplied jumper with spade terminal is used.

IMPORTANT

Thermostats are calibrated at the factory by using subbases mounted at true level. Inaccurate subbase leveling will cause thermostat control deviation.

Location

Install the thermostat about 5 ft (1.5m) above the floor in an area with good air circulation at average room temperatures.

- Do not mount the thermostat where it may be affected by:
- drafts, or dead spots (no air movement) behind doors, in corners, and above or below shelves.
 - hot or cold air from ducts.
 - radiant heat from the sun, lights, or appliances.
 - concealed pipes and chimneys.
 - unheated or uncooled areas such as an outside wall behind the thermostat.

Mounting and Wiring the Subbase

Disconnect power supply to prevent electrical shock or equipment damage. All wiring must comply with local electrical codes and ordinances. Follow equipment manufacturer wiring instructions when available.

Mount the subbase on a wall or horizontal outlet box. To mount it on a vertical outlet box, order Honeywell part no. 196393A Cover Plate Assembly, which includes an adapter ring with two screws for vertical outlet box mounting and a cover plate to cover marks on the wall.

To install subbase, proceed as follows:

- 1 Prepare a hole for the thermostat wires at the chosen location. Run wires to location.
- 2 Pull about 6 in. (152 mm) of wire through the hole.

IMPORTANT

Use 18 gauge, color-coded thermostat cable for proper wiring.

- 3 If mounting the subbase on a vertical outlet box, install adapter ring with the two screws provided in the assembly. See Fig. 1.
- 4 Pull wire through cover plate, if used, and subbase wire opening. Secure the cover plate and subbase with the two screws provided, but do not tighten down.
- 5 Level the subbase using a spirit level. See Fig. 2. Tighten subbase mounting screws. The subbase mounting slots provide for minor out-of-level adjustments.

IMPORTANT

An incorrectly leveled subbase will cause the temperature control to deviate from setpoint

- 6 Connect the system wires to the subbase. See Fig. 4-7. A letter is stamped near each terminal for identification. The terminal barrier permits straight or conventional wraparound wiring connections. See Fig. 3. Either method is acceptable. Run wires as close as possible to the subbase, keeping wire length to a minimum. Push excess wire back into hole. Plug hole to prevent drafts.

Mounting the Thermostat

- 1 Remove the thermostat cover by pulling the bottom edge of the cover away from the base until it snaps free of the retaining posts.

NOTE: The cover is hinged at the top and must be removed by pulling out at the bottom.

- 2 Carefully remove and discard the polystyrene packing insert that protects the mercury switches during shipment.
- 3 Turn the thermostat over and locate the spring fingers that engage the subbase contacts. Make sure the spring fingers are NOT bent flat, preventing proper electrical contact with the subbase.
- 4 Set adjustable heat anticipator indicators, if provided, as described in Setting the Heat Anticipator(s) section.

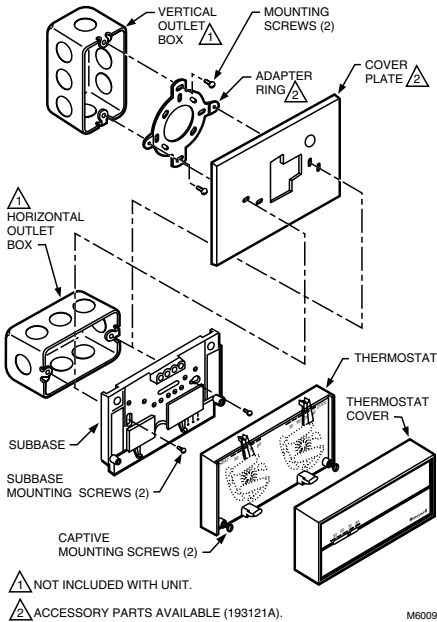


Fig. 1. Installation of subbases and thermostat on outlet box.

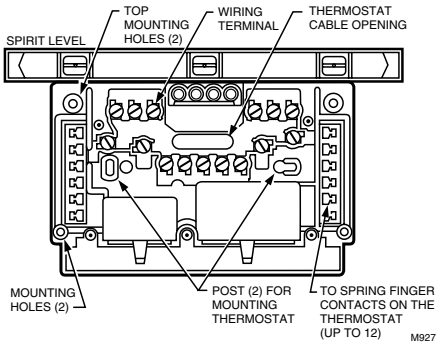


Fig. 2. Leveling the subbase.

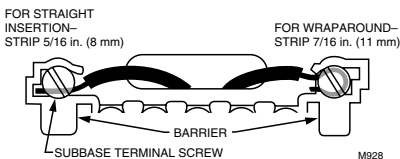


Fig. 3. Wiring connections.

- 5 Note the tabs along the top inside edge of the thermostat base. The tabs fit into the subbase notches. Mount the thermostat on the subbase and tighten the captive mounting screws. See Fig. 1. Do not overtighten captive mounting screws. This can damage the threads in the subbase.
- 6 Place the upper edge of the thermostat cover on the base and swing cover downward until it engages retaining posts on base. Tighten the locking cover screws if assembly is provided.

SETTING

Setting the 2nd Stage (Y594G1666 and Y594G1674 Only) Heat Anticipator

Set the adjustable heat anticipator to match its primary control current draw. If the primary control nameplate has no rating or if further adjustment is necessary, use the following procedure to measure the current draw of each stage:

- 1 Remove thermostat from the subbase. Make sure the power is on.
- 2 Connect an ac ammeter of appropriate range between the heating terminals of the subbase: Stage 2: between W2 and R.
- 3 Move the system switch to HEAT or ON.
- 4 After one minute, read the ammeter and record the reading.
- 5 Remount the thermostat and use a ballpoint pen to set the adjustable heat anticipator(s) to match the reading(s) measured in step 4. See Fig. 8.

Temperature Setting

Move the heating and cooling levers to the desired positions. The minimum differential between heating and cooling setpoints is 3°F (2°C). Some thermostat models have nonadjustable lever stops, which set the maximum heating control point at 68°F or 72°F (20°C or 22°C) and the minimum cooling control point at 78°F (26°C). Do not attempt to exceed these limits. Some models have only one lever for heating and cooling.

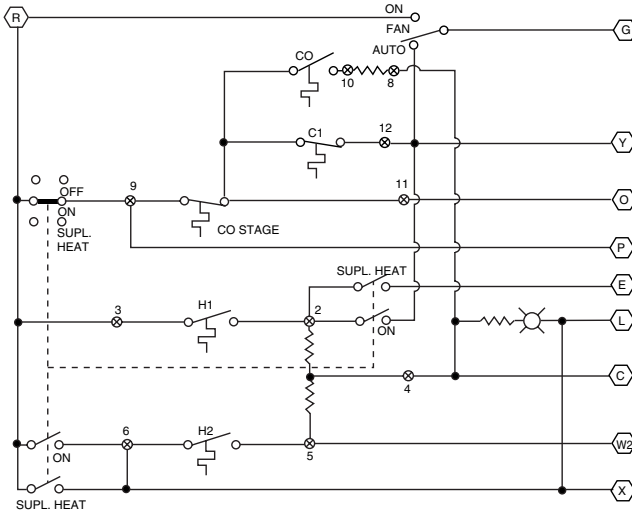
Subbase Setting

Available subbase system switch positions vary by thermostat model. Positions control thermostat operation as follows:

- OFF: Heating and cooling systems are off. If the fan switch is at the AUTO position, the fan is also off.
- HEAT: Heating system is controlled by the thermostat. Cooling system is off.
- COOL: Cooling system is controlled by the thermostat. Heating system is off.
- ON: Thermostat automatically switches between heat and cool modes, depending on the indoor temperature.
- SUPL. HT.: Supplemental heat is energized. Cooling system is off. Compressor cannot operate.

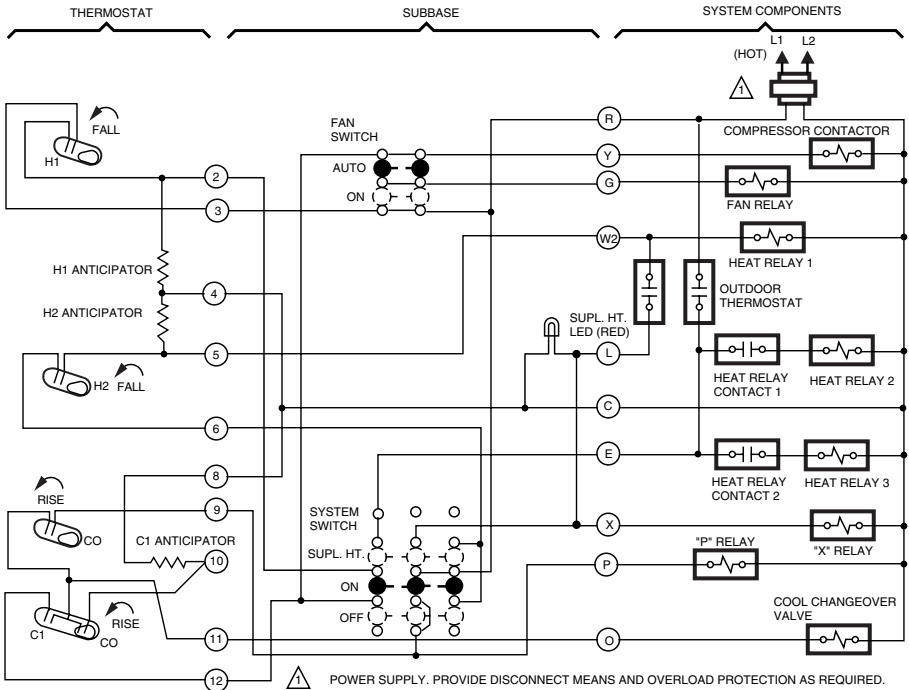
Fan switching positions control fan operation as follows:

- ON: Fan operates continuously.
- AUTO: Fan operates with heat pump and supplemental heat as controlled by the thermostat.



⬡ FIELD WIRING CONNECTION

⊗ DENOTES CONNECTION POINT BETWEEN SUBBASE AND THERMOSTAT



⚠ POWER SUPPLY. PROVIDE DISCONNECT MEANS AND OVERLOAD PROTECTION AS REQUIRED.

M4563

Fig. 4. Y594J1019 Thermostat/Subbase switching and internal connections.

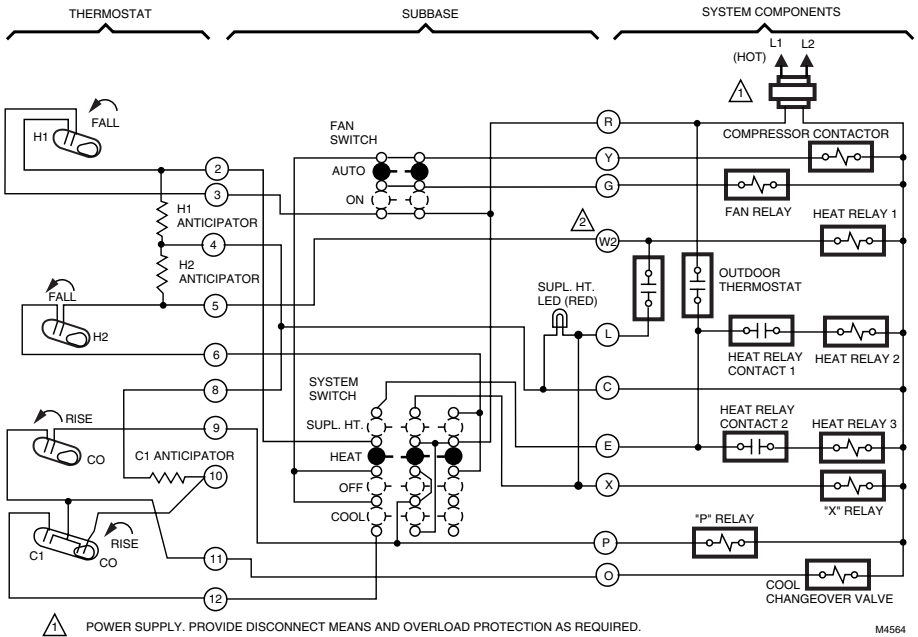
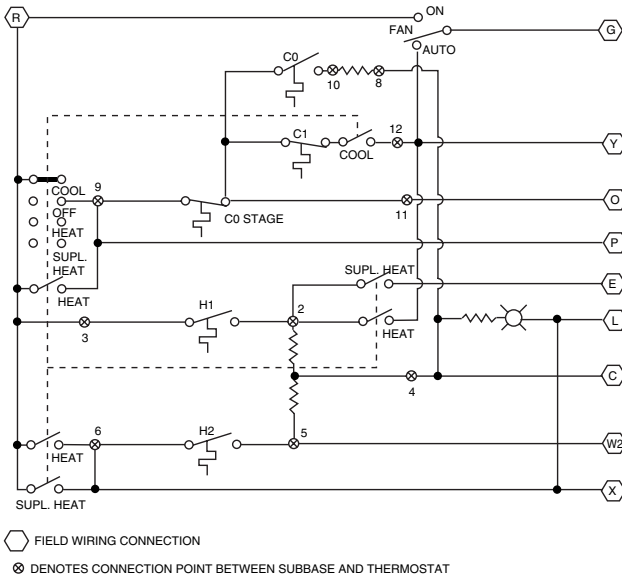
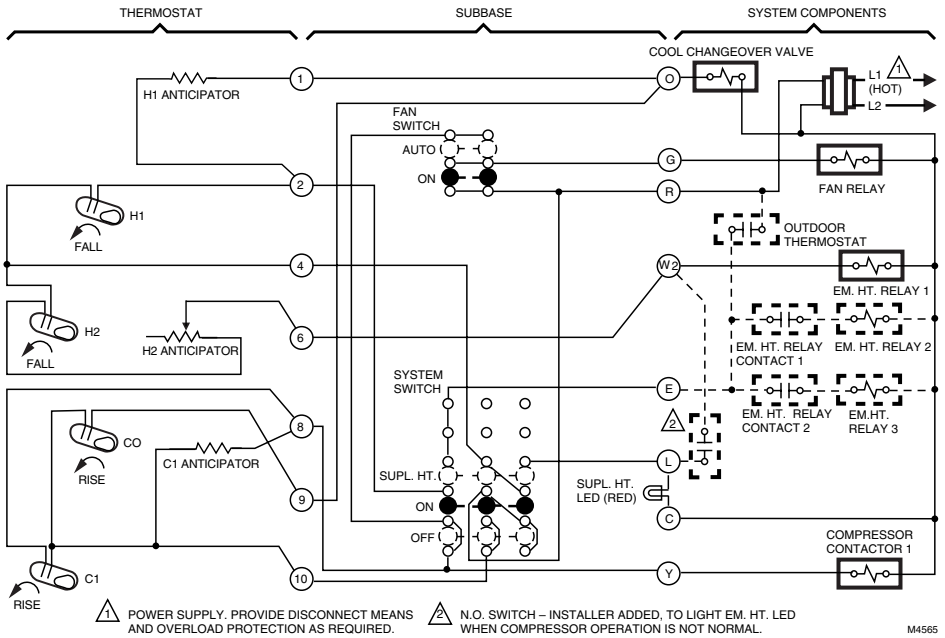
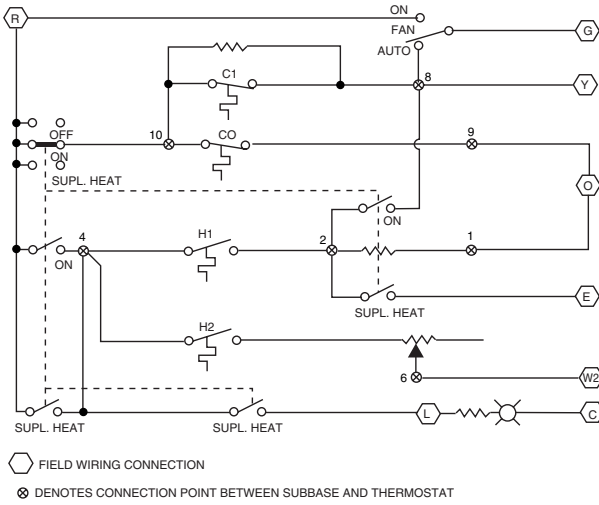


Fig. 5. Y594J1001 Thermostat/Subbase switching and internal connections.



M4565

Fig. 6. Y594G1674 Thermostat/Subbase switching and internal connections.

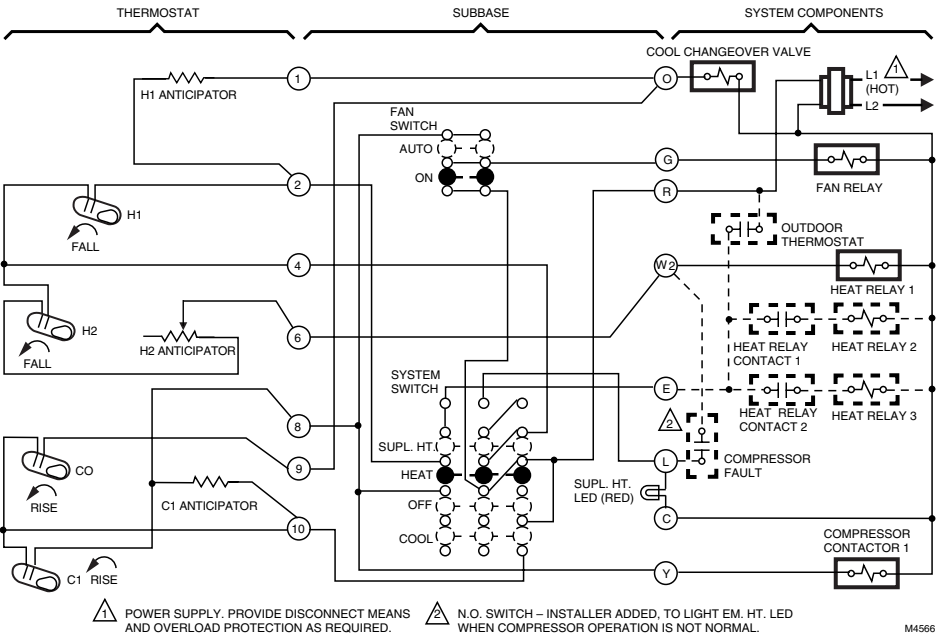
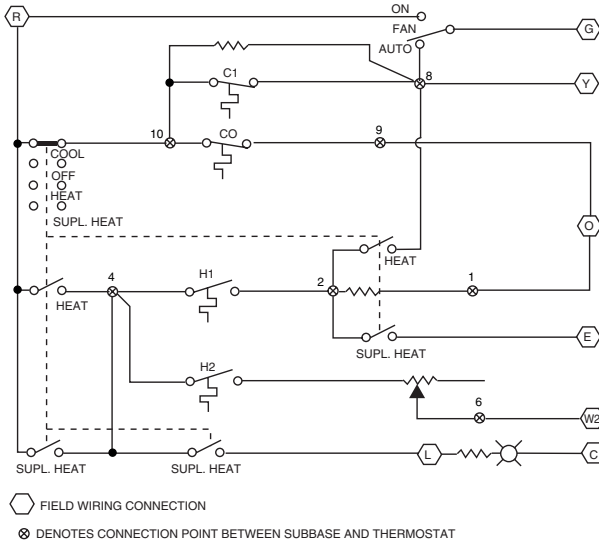


Fig. 7. Y594G1666 Thermostat/Subbase switching and internal connections.

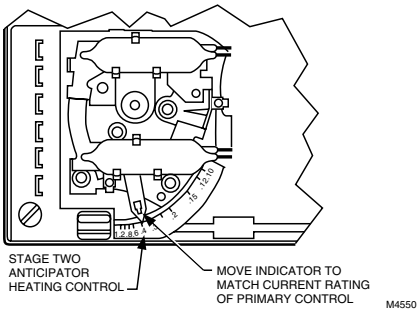


Fig. 8. Adjustable heat anticipator shown.

To switch positions, use thumb and index finger to slide lever to desired position. Switch lever must stop in detent directly over the desired function indicator mark for proper system operation.

CHECKOUT

Heating

Set the system switch on the subbase at HEAT or ON and the fan switch at AUTO. Move the heating lever on the thermostat about 10°F (6°C) above room temperature. Heating (both stages if two-stage thermostat) should start if there is no time delay or outdoor temperature limiting system, and the fan should come on. Move the heating lever about 10°F (6°C) below room temperature. Heating and fan should shut off.

Cooling

CAUTION

Do not operate cooling if outdoor temperature is below 50°F (10°C). Refer to manufacturer recommendations.

Set the system switch on the subbase to COOL or ON and the fan switch to AUTO. Move the cooling lever on the thermostat about 10°F (6°C) below room temperature. Cooling and fan should start. Move the cooling lever about 10°F (6°C) above room temperature. Cooling and fan should stop.

Fan

Set the fan switch to ON. Move the system switch to different positions; the fan should run continuously. Move the fan switch to AUTO. Move the system switch to different positions. Fan operation is controlled with the heating or cooling system.

LED Indication

Set system switch on subbase at SUPL. HT. The SUPL. HT. LED should light. Simulate compressor failure and energize the system. The FAULT LED should light.

CALIBRATION

Thermostat

These thermostats are accurately calibrated at the factory. They do not have provision for field calibration.

Thermometer

The thermometer in your thermostat has been accurately calibrated at the factory. The thermometer should only adjustment if it has been dropped or shifted due to mishandling.

If the setpoint lever and the thermometer reading do not agree, use the following procedure:

- 1 Remove the thermostat cover by pulling up from the bottom edge of the cover away from the base until it snaps free of the cover clip.
- 2 Set the thermostat cover on a table near an accurate thermometer.
- 3 Allow ten minutes for cover thermometer to sense area temperature; compare the readings. Be careful not to touch the thermometer or breathe on it.
- 4 If the readings are the same, replace cover and put the system into operation.
- 5 If the readings are different, insert a small screwdriver in the thermometer slot and turn it until the thermometers have the same reading. See Fig. 9.
- 6 Replace thermostat cover and put the system into operation.

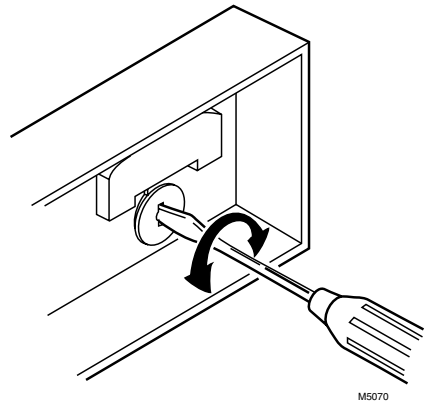


Fig. 9. Thermometer calibration.

Honeywell

Home and Building Control
Honeywell International, Inc.
1985 Douglas Drive North
Golden Valley, MN 55422

Home and Building Control
Honeywell Limited-Honeywell Limitée
35 Dynamic Drive
Scarborough, Ontario
M1V 4Z9



Printed in U.S.A. on recycled paper containing at least 10% post-consumer paper fibers.